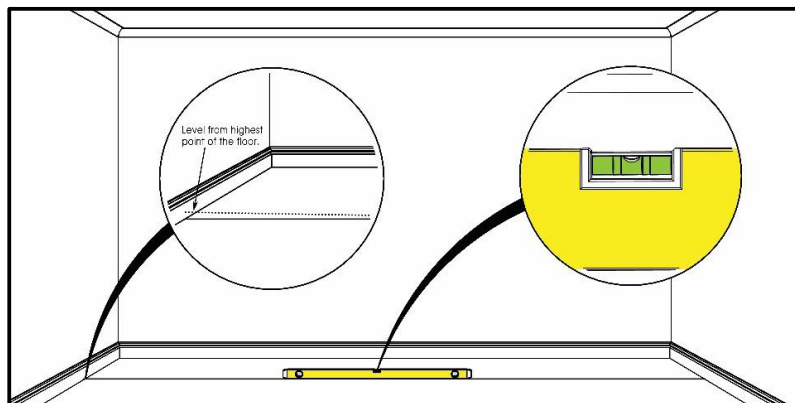
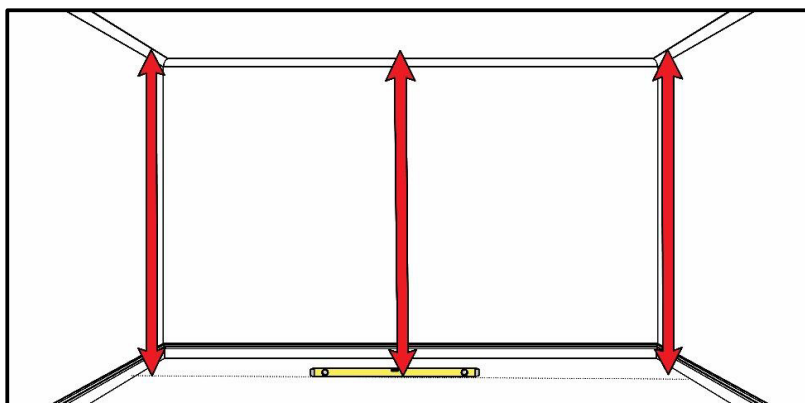


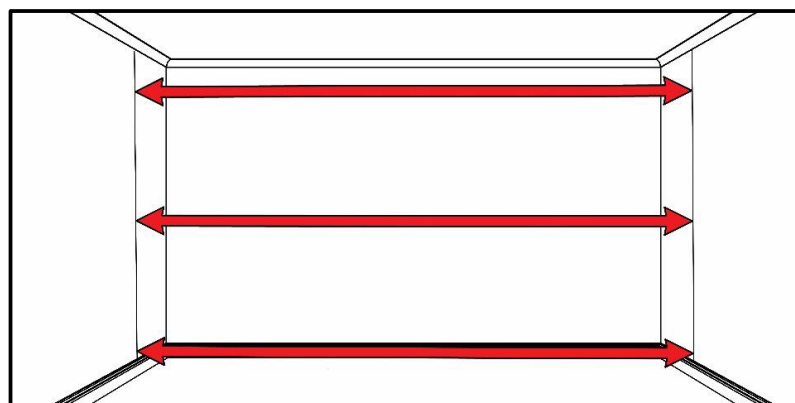
From the back wall measure the depth available. The measurement needs to be taken from the wall not the skirting board (recommended depth is 650mm or 700mm if it is a full carcass wardrobe)



Height Measurements need to be taken from a level base. From the **highest** point of the floor at the very front of the wardrobe depth, set a level. This can be done with a long spirit level – Laser or packed length of timber. (make sure you include the thickness of the timber when measuring)



Take height measurements in at least 3 places from the level mark to the ceiling. Supply the **smallest** dimension.



Take width measurements from the far left and right in at least 3 positions. Supply the **smallest** dimension.

Depth: .....mm

Height: .....mm

Width: .....mm

Ceiling Level within 10mm (5mm if having soft close) ..... Floor Level within 10mm (5mm if having soft close) .....

Wardrobe Layout (select as appropriate)

Left: Plain Wall/End Panel/Curtain Pocket/Shallow Alcove

Right: Wall/End Panel/Curtain Pocket/Shallow Alcove